

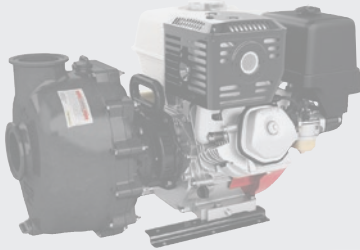


# SELF-PRIMING CENTRIFUGAL PUMPS

INTRODUCING

## FILL FASTER. SPRAY MORE.

### 500+ GPM INDUSTRY-LEADING FLOW.



Gas Engine model available 2023



M350PE15W  
ELECTRIC MODEL



M350PHYW  
HYDRAULIC MODEL



M350PBW  
BEARING PEDESTAL MODEL



M350POW  
PUMP ONLY MODEL

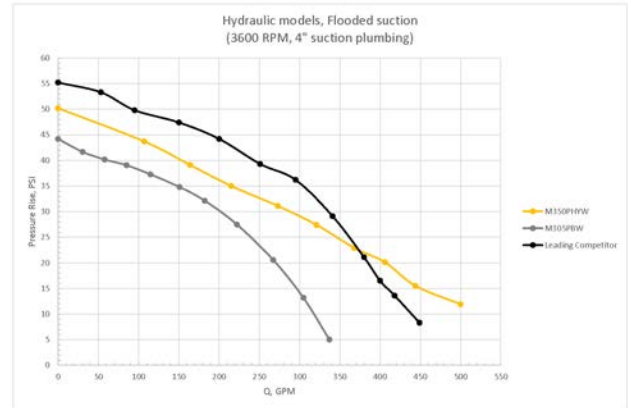
The new M350 pump saves money in spraying operations.

M350 **FastFlow™** technology utilizing a customized diffuser design greatly increases flow rates. With performance over 500 gallons per minute (see chart), you'll spend less time filling, which means less down time in the field and most importantly, less cost per acre.



Standard volute design

**FastFlow™** diffuser design



The FastFlow diffuser design incorporates multiple channels that maximize fluid flow through the pump outperforming traditional one channel volute designs.

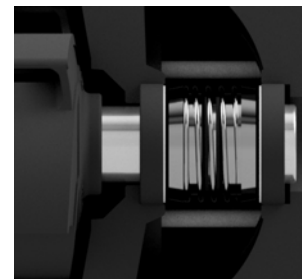
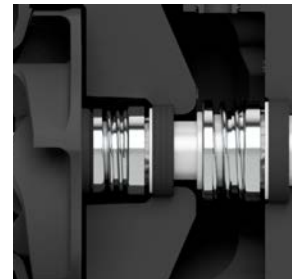
See table on back for 4" fittings that maximize flow.

### NO LEAKS. NO WEAR. NO WORRIES.

#### PATENT PENDING

Patent pending tandem wet seal design:

- Produces less wear
- Prevents seal breakage from high pressure clean out
- Eliminates eight leak points
- Works with natural system pressure to keep seal intact.




With tandem seals, pressure within the pump body acts in the same direction as the inner seal spring, holding the seal closed preventing leaks. Traditional opposing seals can push the seal open causing leaks.

### ATTACHES EASILY.

The M350 series pumps are manufactured fully assembled, ready for attachment to a motor or engine. The modular design makes for easy replacement and retrofits much easier than typical pump assemblies.


# SPECIFICATIONS

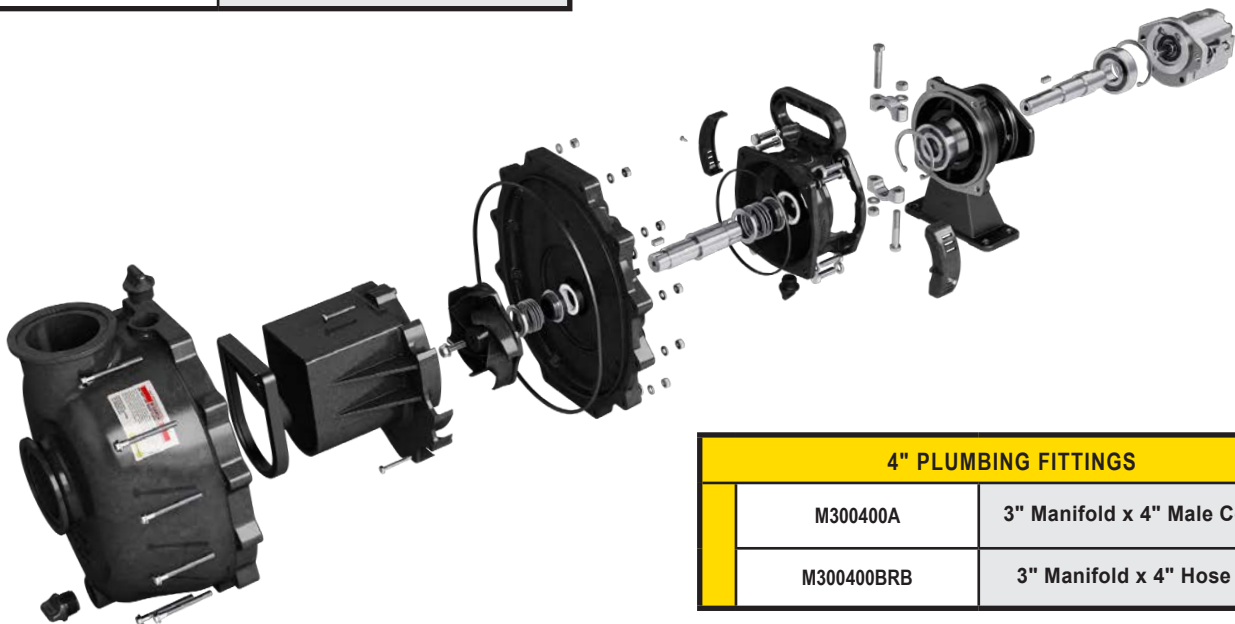
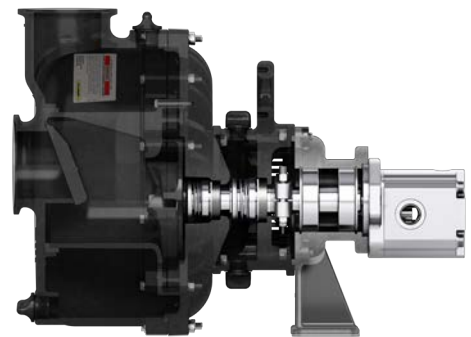
- Polymer components molded from polypropylene
- EPDM seals
- All stainless steel hardware
- Tandem wet seal design
- No exposed moving parts
- Design speed 3600 RPM
- Power requirement 13 HP
- Run dry capability of greater than one hour.
- Capable of handling solid particles in suspension up to ½" in diameter.
- Maximum self-priming height 25 ft (7.6 m) for hydraulic version (0.422" priming hole); 28 ft (8.5 m) for standard version (0.250" priming hole)

		FLOODED SUCTION@10 PSI	
		MAX FLOW	
BANJO PUMPS	GAS ENGINE	515 GPM	
	ELECTRIC MOTOR	515 GPM	
	HYDRAULIC MOTOR	500 GPM	

\*Using 4" suction plumbing with flooded suction.

# PUMP MODEL CHART

		POLYPROPYLENE	
		3"	
BANJO PUMPS	WET SEAL GAS ENGINE	✓	
	WET SEAL ELECTRIC MOTOR	✓	
	WET SEAL HYDRAULIC MOTOR	✓	
	WET SEAL BEARING PEDESTAL	✓	
	WET SEAL PUMP ONLY	✓	



4" PLUMBING FITTINGS	
M300400A	3" Manifold x 4" Male Coupler
M300400BRB	3" Manifold x 4" Hose Barb